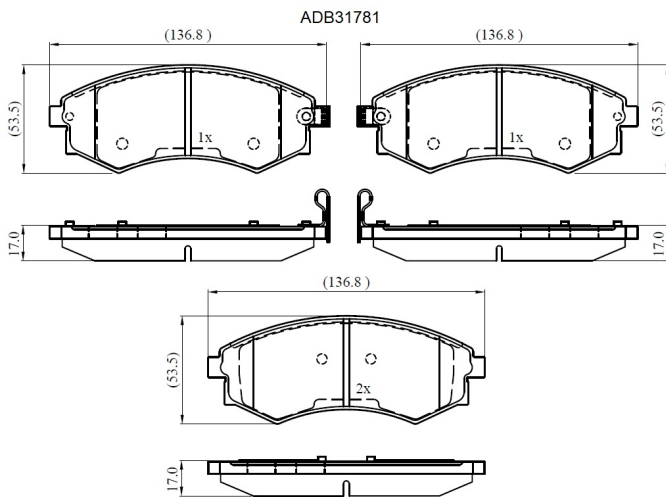


**Make: HYUNDAI**

**Model: Elantra**

**Part Number: ADB31781**

**Vehicle Manufacturing/Engine:**



### Specifications

<b>Fitting Position</b>	:	Front
<b>Model Date</b>	:	06/00-->
<b>Or. Caliper</b>	:	Sumitomo

<b>WVA</b>	:	21725
<b>FMSI</b>	:	
<b>Length</b>	:	137
<b>Width</b>	:	53.5
<b>Thickness</b>	:	17.0/17.4