

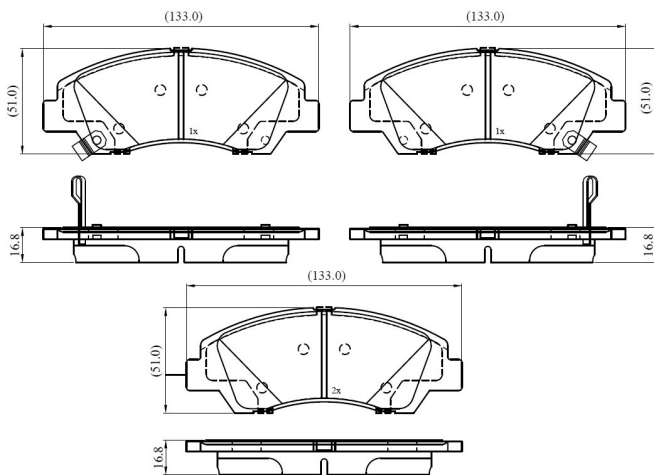
Make: HYUNDAI

Model: i10 II

Part Number: ADB33242

Vehicle Manufacturing/Engine:

ADB33242



Specifications

Fitting Position	:	Front
Model Date	:	2013-
Or. Caliper	:	

WVA	:	25976
FMSI	:	
Length	:	133
Width	:	51
Thickness	:	16.8