

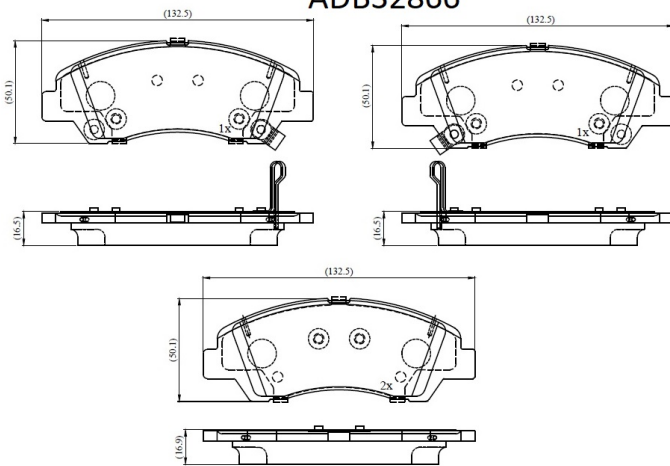
Make: HYUNDAI

Model: i10 III

Part Number: ADB32866

Vehicle Manufacturing/Engine:

ADB32866



Specifications

Fitting Position	:	Front
Model Date	:	2019-
Or. Caliper	:	

WVA	:	25,97,62,59,77,25,978
FMSI	:	
Length	:	132.7
Width	:	50.4
Thickness	:	16.7