

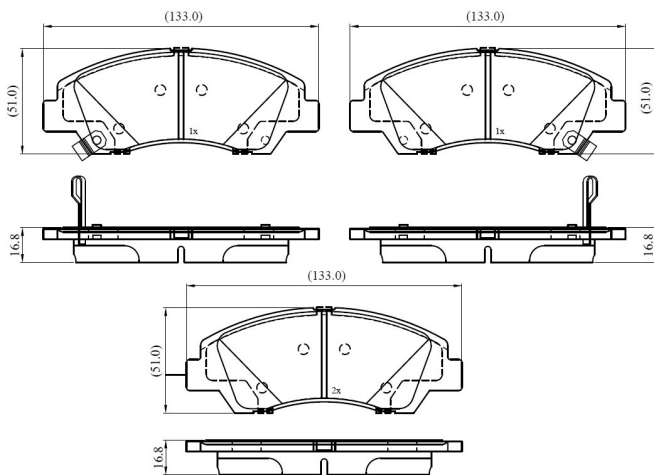
Make: HYUNDAI

Model: i10 III

Part Number: ADB33242

Vehicle Manufacturing/Engine:

ADB33242



Specifications

| | | |
|-------------------------|---|-------|
| Fitting Position | : | Front |
| Model Date | : | 2019- |
| Or. Caliper | : | |

| | | |
|------------------|---|-------|
| WVA | : | 25976 |
| FMSI | : | |
| Length | : | 133 |
| Width | : | 51 |
| Thickness | : | 16.8 |