

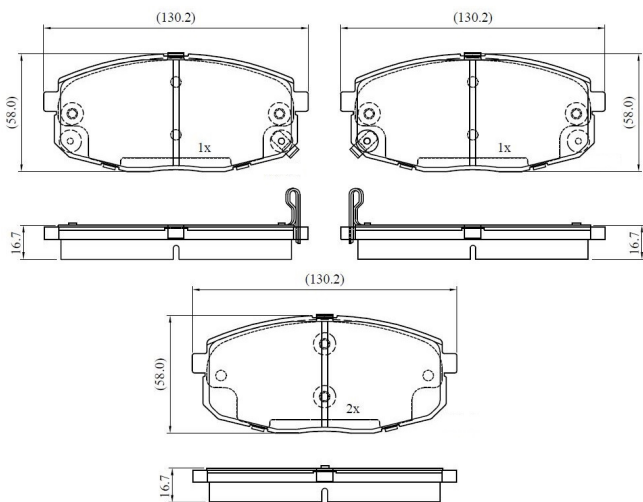
Make: HYUNDAI

Model: i30

Part Number: ADB31798

Vehicle Manufacturing/Engine:

ADB31798



Specifications

Fitting Position	:	Front
Model Date	:	10/07-->

Or. Caliper	:	Mando
WVA	:	23966
FMSI	:	
Length	:	13
Width	:	58.2
Thickness	:	16.7