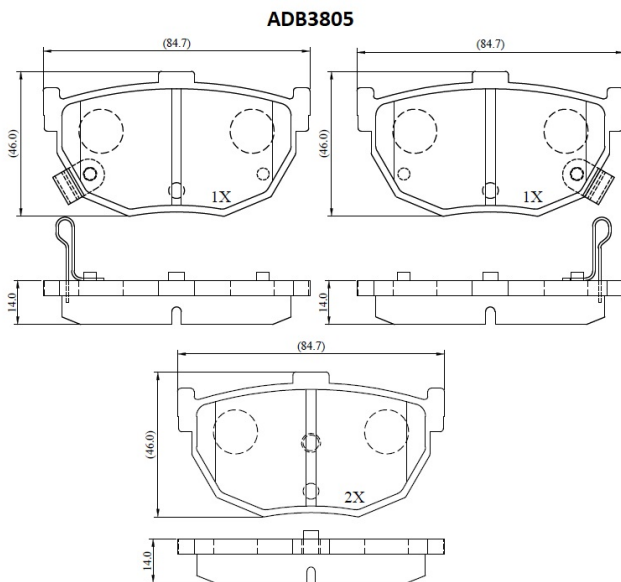


**Make: HYUNDAI**

**Model: Lantra (-> 06/98)**

**Part Number: ADB3805**

**Vehicle Manufacturing/Engine:**



### Specifications

<b>Fitting Position</b>	:	Rear
<b>Model Date</b>	:	01/91-06/98

<b>Or. Caliper</b>	:	Sumitomo
<b>WVA</b>	:	21553
<b>FMSI</b>	:	
<b>Length</b>	:	84.7
<b>Width</b>	:	46
<b>Thickness</b>	:	14