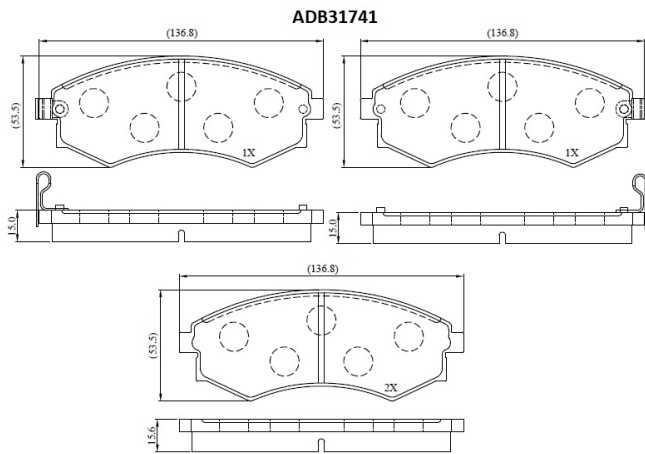


**Make: HYUNDAI**

**Model: Lantra II**

**Part Number: ADB31741**

**Vehicle Manufacturing/Engine:**



## Specifications

<b>Fitting Position</b>	:	Rear
<b>Model Date</b>	:	11/95-->
<b>Or. Caliper</b>	:	Akebono
<b>WVA</b>	:	21,72,52,17,26,21,727

<b>FMSI</b>	:	
<b>Length</b>	:	137
<b>Width</b>	:	53.5
<b>Thickness</b>	:	15.0/15.6