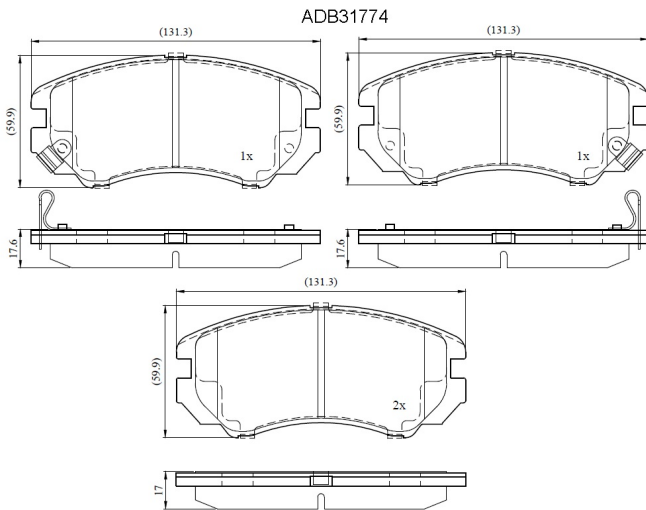


**Make: HYUNDAI**

**Model: Sonata V**

**Part Number: ADB31774**

**Vehicle Manufacturing/Engine:**



### Specifications

<b>Fitting Position</b>	:	Front
<b>Model Date</b>	:	01/05-->
<b>Or. Caliper</b>	:	Mando

<b>WVA</b>	:	23891
<b>FMSI</b>	:	
<b>Length</b>	:	131.4
<b>Width</b>	:	59.8
<b>Thickness</b>	:	18.0/17.0