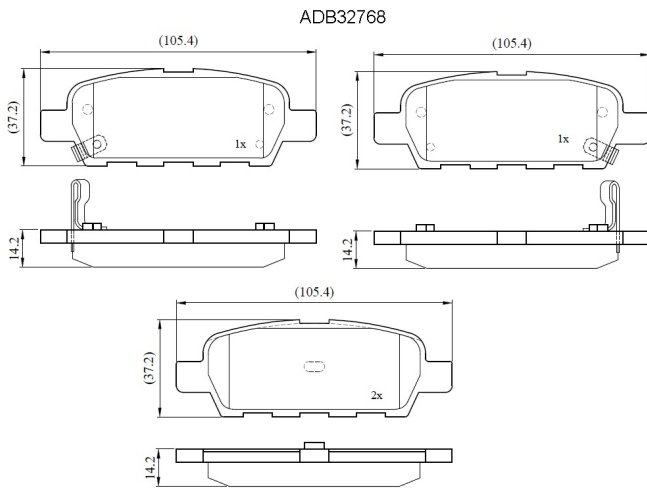


Make: INFINITI

Model: EX35

Part Number: ADB32768

Vehicle Manufacturing/Engine:



Specifications

| | | |
|-------------------------|---|--------|
| Fitting Position | : | Rear |
| Model Date | : | 10-Nov |
| Or. Caliper | : | |

| | | |
|------------------|---|-----------|
| WVA | : | |
| FMSI | : | 7784-D905 |
| Length | : | 105.4 |
| Width | : | 37.2 |
| Thickness | : | 14.2 |