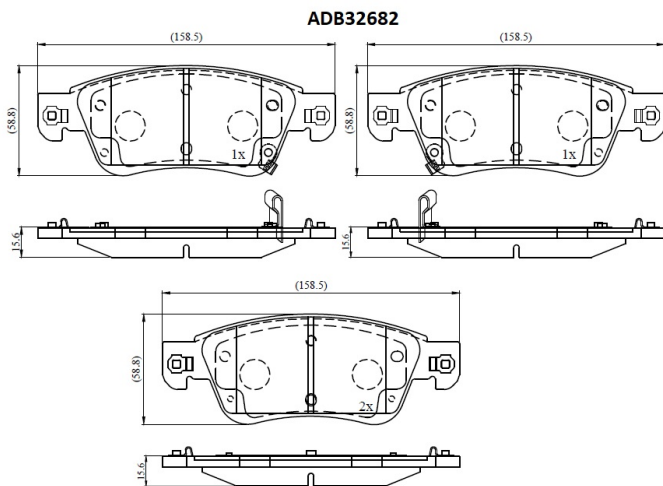


**Make: INFINITI**

**Model: G35**

**Part Number: ADB32682**

**Vehicle Manufacturing/Engine:**



### Specifications

<b>Fitting Position</b>	:	Front
<b>Model Date</b>	:	07-Aug
<b>Or. Caliper</b>	:	
<b>WVA</b>	:	

<b>FMSI</b>	:	D1287
<b>Length</b>	:	158.5
<b>Width</b>	:	58.8
<b>Thickness</b>	:	15.6