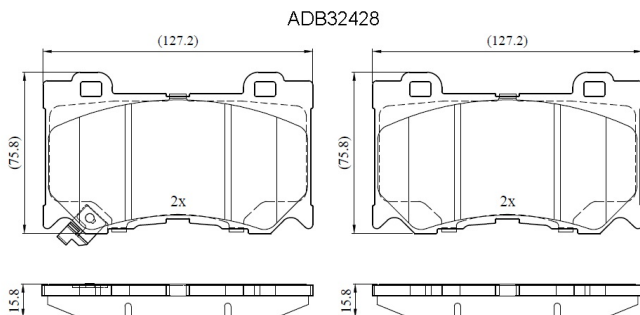


Make: INFINITI

Model: Q60 Coupe

Part Number: ADB32428

Vehicle Manufacturing/Engine:



Specifications

| | | |
|-------------------------|---|----------------|
| Fitting Position | : | Front |
| Model Date | : | 2013- |
| Or. Caliper | : | |
| WVA | : | 2,38,22,24,177 |
| FMSI | : | |
| Length | : | 127.3 |

| | | |
|------------------|---|------|
| Width | : | 75.5 |
| Thickness | : | 15.9 |