

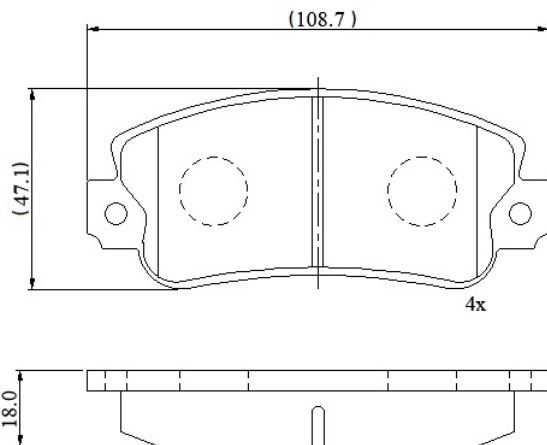
Make: INNOCENTI

Model: Mille

Part Number: ADB0129

Vehicle Manufacturing/Engine:

ADB0129



Specifications

Fitting Position

:

Front

| | | |
|--------------------|---|-------------|
| Model Date | : | 01/94-02/98 |
| Or. Caliper | : | Bendix |
| WVA | : | 20950 |
| FMSI | : | |
| Length | : | 108.8 |
| Width | : | 47.1 |
| Thickness | : | 18 |