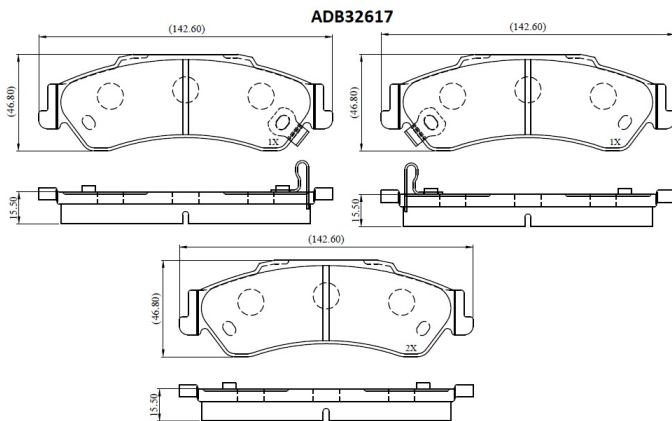


**Make: ISUZU**

**Model: TRUCK**

**Part Number: ADB32617**

**Vehicle Manufacturing/Engine:**



### Specifications

<b>Fitting Position</b>	:	Rear
<b>Model Date</b>	:	98-00
<b>Or. Caliper</b>	:	
<b>WVA</b>	:	
<b>FMSI</b>	:	D729

**Length**

:

**Width**

:

**Thickness**

: