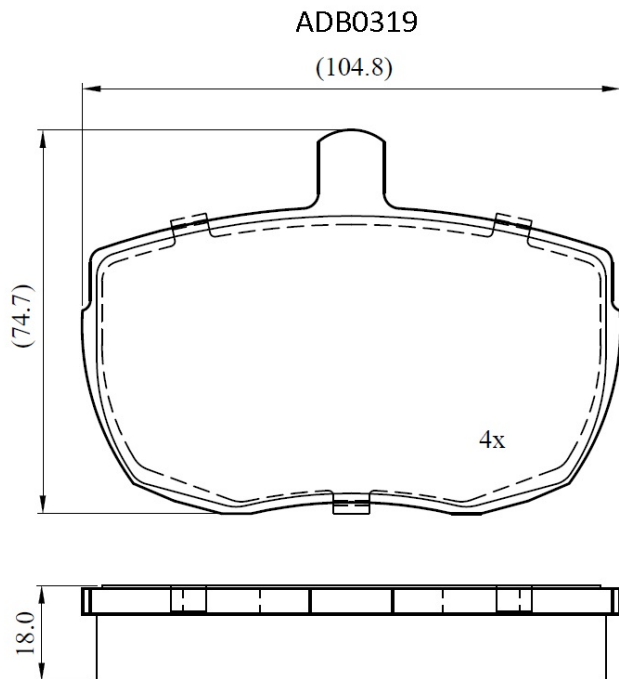


**Make: IVECO**

**Model: Daily->90**

**Part Number: ADB0319**

**Vehicle Manufacturing/Engine:**



## Specifications

|                         |   |             |
|-------------------------|---|-------------|
| <b>Fitting Position</b> | : | Front       |
| <b>Model Date</b>       | : | 01/79-01/90 |
| <b>Or. Caliper</b>      | : | Lockheed    |
| <b>WVA</b>              | : | 20359       |
| <b>FMSI</b>             | : |             |
| <b>Length</b>           | : | 104.8       |
| <b>Width</b>            | : | 74.7        |
| <b>Thickness</b>        | : | 18          |