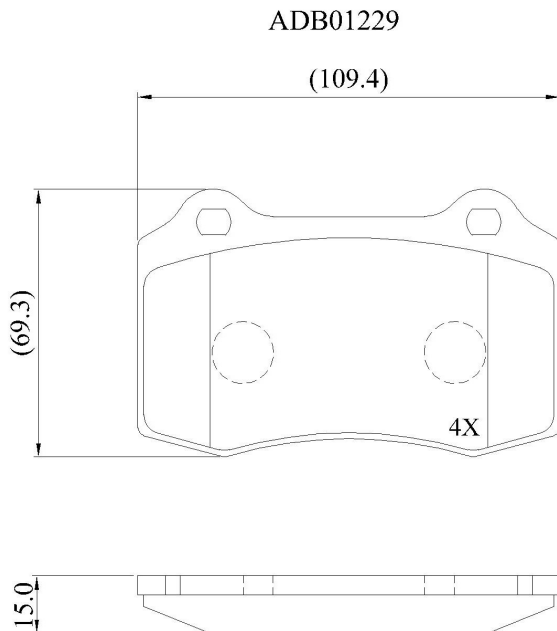


**Make: JAGUAR**

**Model: XK-8 Convertible**

**Part Number: ADB01229**

**Vehicle Manufacturing/Engine:**



### Specifications

**Fitting Position**

:

Rear

<b>Model Date</b>	:	2002-2006
<b>Or. Caliper</b>	:	
<b>WVA</b>	:	21381
<b>FMSI</b>	:	
<b>Length</b>	:	110
<b>Width</b>	:	69
<b>Thickness</b>	:	15