

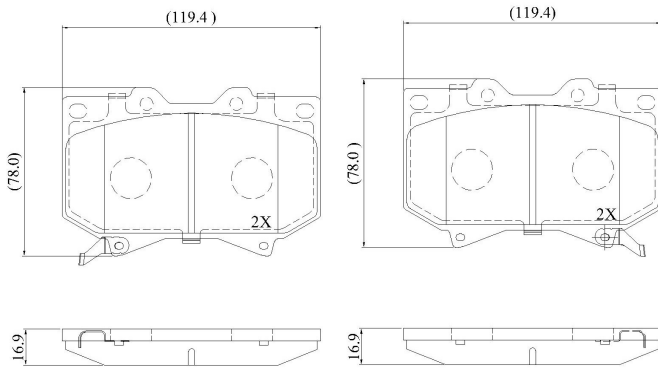
**Make: JAGUAR**

**Model: XK?8**

**Part Number: ADB33024**

**Vehicle Manufacturing/Engine:**

ADB33024



## Specifications

<b>Fitting Position</b>	:	Front
<b>Model Date</b>	:	03-
<b>Or. Caliper</b>	:	
<b>WVA</b>	:	

<b>FMSI</b>	:	D812
<b>Length</b>	:	119.4
<b>Width</b>	:	78
<b>Thickness</b>	:	16.9