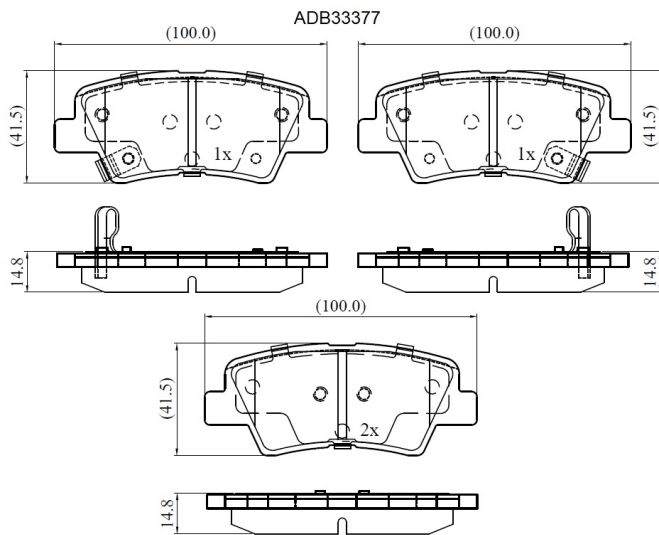


Make: KIA

Model: Amanti

Part Number: ADB33377

Vehicle Manufacturing/Engine:



Specifications

| | | |
|-------------------------|---|--------|
| Fitting Position | : | Rear |
| Model Date | : | 07-Sep |
| Or. Caliper | : | |

| | | |
|------------------|---|-------|
| WVA | : | |
| FMSI | : | D1313 |
| Length | : | 100 |
| Width | : | 41.5 |
| Thickness | : | 14.8 |