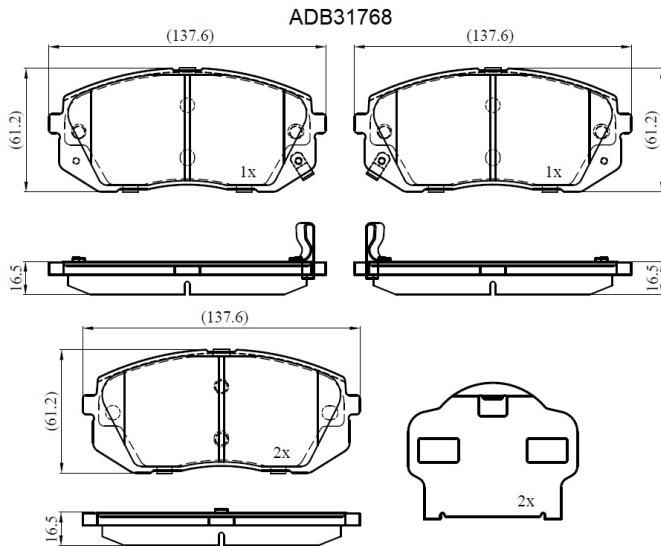


**Make: KIA**

**Model: Carens III**

**Part Number: ADB31768**

**Vehicle Manufacturing/Engine:**



### Specifications

<b>Fitting Position</b>	:	Front
<b>Model Date</b>	:	09/06-->
<b>Or. Caliper</b>	:	Mando

<b>WVA</b>	:	2,45,01,24,502
<b>FMSI</b>	:	
<b>Length</b>	:	137.6
<b>Width</b>	:	61.2
<b>Thickness</b>	:	16.5/17.0