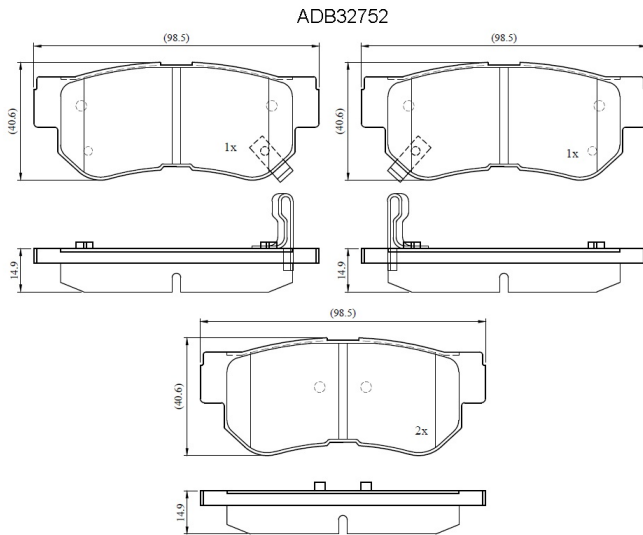


**Make: KIA**

**Model: Magentis**

**Part Number: ADB32752**

**Vehicle Manufacturing/Engine:**



### Specifications

|                         |   |      |
|-------------------------|---|------|
| <b>Fitting Position</b> | : | Rear |
| <b>Model Date</b>       | : | 09-  |
| <b>Or. Caliper</b>      | : |      |

|                  |   |           |
|------------------|---|-----------|
| <b>WVA</b>       | : |           |
| <b>FMSI</b>      | : | 7688-D813 |
| <b>Length</b>    | : | 98.5      |
| <b>Width</b>     | : | 40.6      |
| <b>Thickness</b> | : | 14.9      |