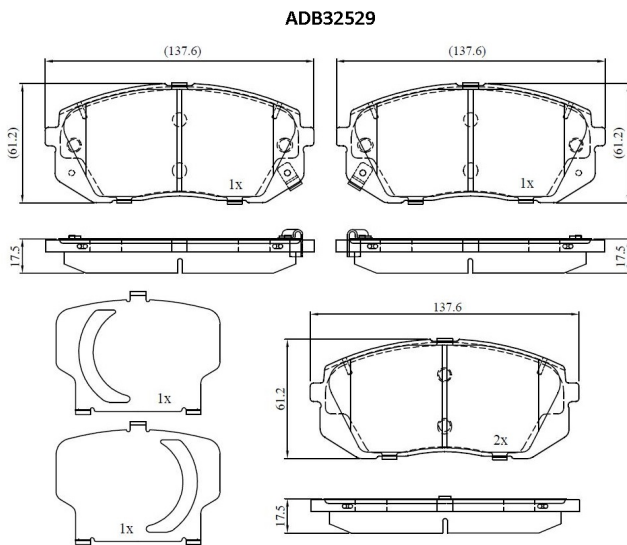


**Make: KIA**

**Model: OPTIMA Sportswagon**

**Part Number: ADB32529**

**Vehicle Manufacturing/Engine:**



### Specifications

<b>Fitting Position</b>	:	Front
<b>Model Date</b>	:	2018-

<b>Or. Caliper</b>	:	
<b>WVA</b>	:	24501
<b>FMSI</b>	:	
<b>Length</b>	:	137.8
<b>Width</b>	:	61
<b>Thickness</b>	:	17.6