

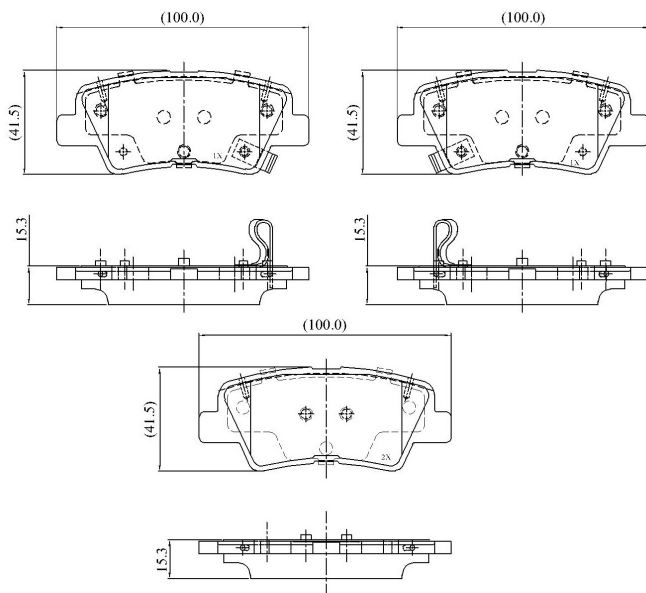
Make: KIA

Model: RIO III Saloon

Part Number: ADB32161

Vehicle Manufacturing/Engine:

ADB32161



Specifications

Fitting Position : Rear

Model Date	:	10/11-
Or. Caliper	:	Akebono
WVA	:	2,49,34,24,93,52,49,36,00,00,00,00,00,000
FMSI	:	
Length	:	99.8
Width	:	41
Thickness	:	15.3