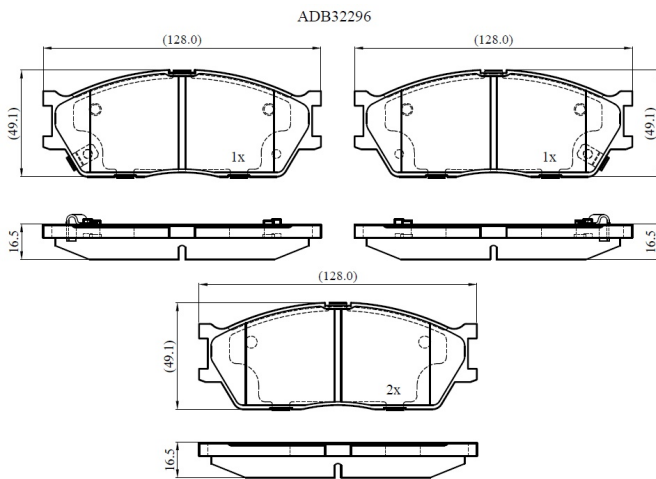


Make: KIA

Model: Rio

Part Number: ADB32296

Vehicle Manufacturing/Engine:



Specifications

Fitting Position	:	Front
Model Date	:	2012-
Or. Caliper	:	
WVA	:	

FMSI	:	
Length	:	128
Width	:	49.1
Thickness	:	16.5