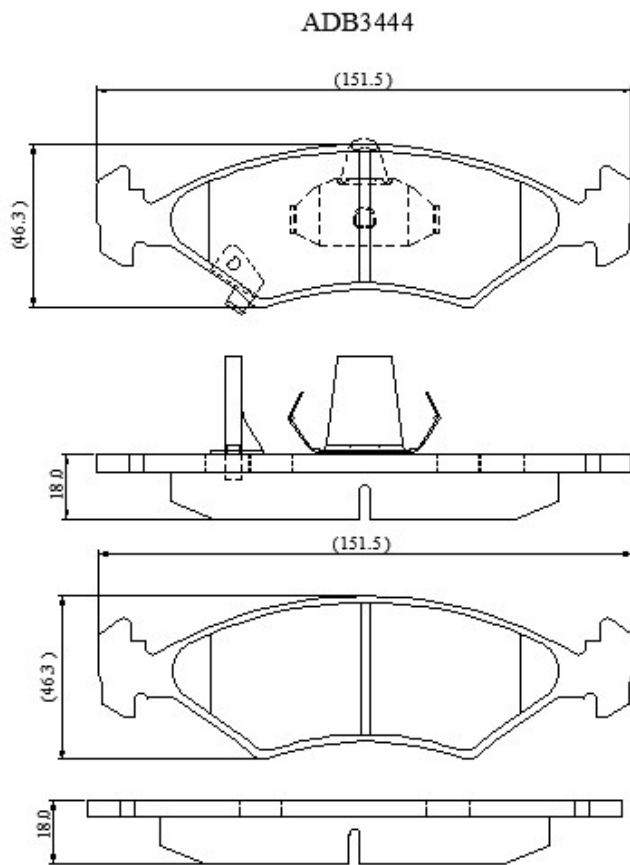


Make: KIA

Model: Shuma I

Part Number: ADB3444

Vehicle Manufacturing/Engine:



Specifications

Fitting Position

:

Front

Model Date	:	10/97-05/01
Or. Caliper	:	Ate
WVA	:	23384
FMSI	:	
Length	:	150.9
Width	:	46
Thickness	:	18