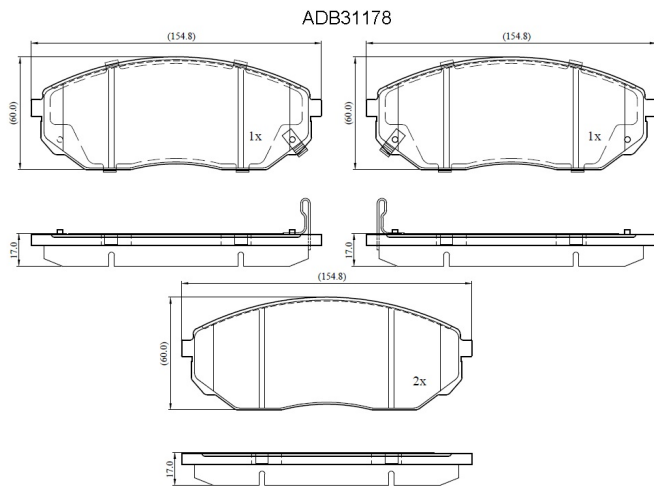


**Make: KIA**

**Model: Sorento**

**Part Number: ADB31178**

**Vehicle Manufacturing/Engine:**



### Specifications

<b>Fitting Position</b>	:	Front
<b>Model Date</b>	:	08/02-->
<b>Or. Caliper</b>	:	Sumitomo

<b>WVA</b>	:	24,09,22,41,78,24,179
<b>FMSI</b>	:	
<b>Length</b>	:	154.8
<b>Width</b>	:	60
<b>Thickness</b>	:	17