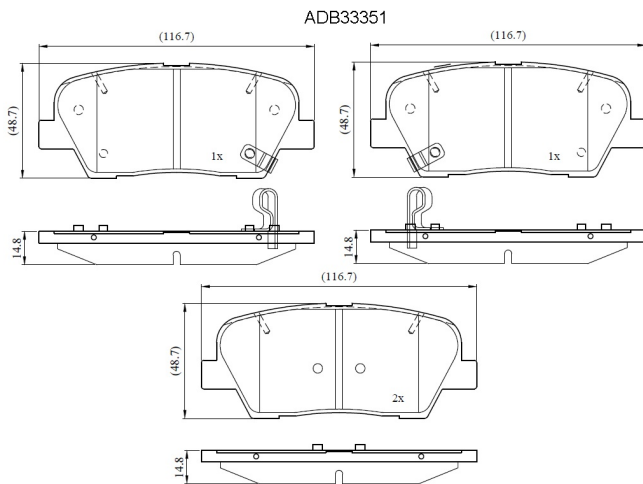


**Make: KIA**

**Model: Truck Sorento**

**Part Number: ADB33351**

**Vehicle Manufacturing/Engine:**



### Specifications

|                         |   |           |
|-------------------------|---|-----------|
| <b>Fitting Position</b> | : | Rear      |
| <b>Model Date</b>       | : | 2015-2018 |
| <b>Or. Caliper</b>      | : |           |
| <b>WVA</b>              | : |           |

|                  |   |            |
|------------------|---|------------|
| <b>FMSI</b>      | : | 9051-D1816 |
| <b>Length</b>    | : | 116.9      |
| <b>Width</b>     | : | 48.3       |
| <b>Thickness</b> | : | 14.8       |