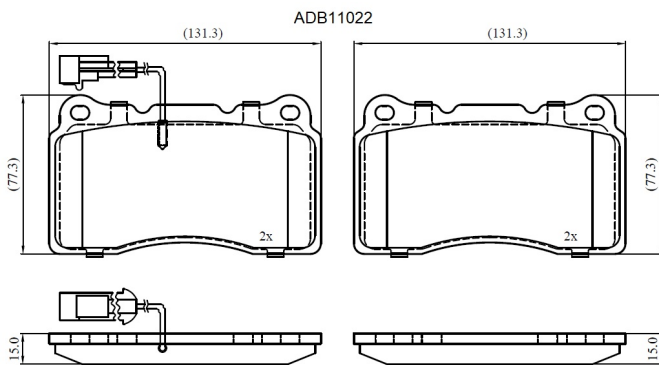


Make: LANCIA

Model: Kappa

Part Number: ADB11022

Vehicle Manufacturing/Engine:



Specifications

Fitting Position	:	Front
Model Date	:	10/98-05/01
Or. Caliper	:	Brembo
WVA	:	23092
FMSI	:	

Length	:	131.3
Width	:	77.7
Thickness	:	15