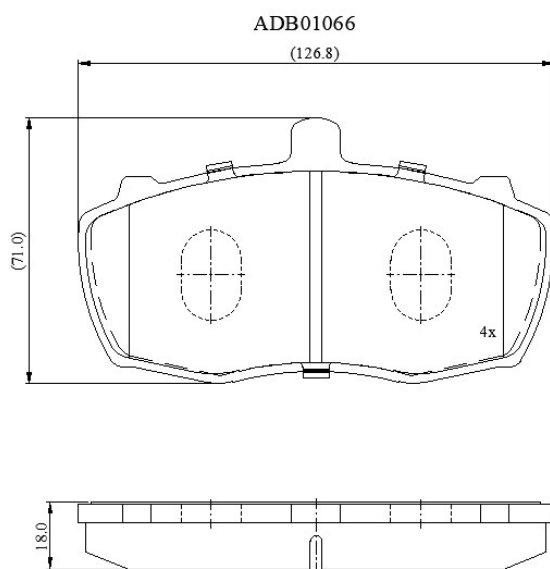


**Make: LANDROVER**

**Model: 110,130/Defender(->04/93)**

**Part Number: ADB01066**

**Vehicle Manufacturing/Engine:**



### Specifications

<b>Fitting Position</b>	:	Front
<b>Model Date</b>	:	01/883-01-87

<b>Or. Caliper</b>	:	Lockheed
<b>WVA</b>	:	20904
<b>FMSI</b>	:	
<b>Length</b>	:	126.8
<b>Width</b>	:	71
<b>Thickness</b>	:	18