

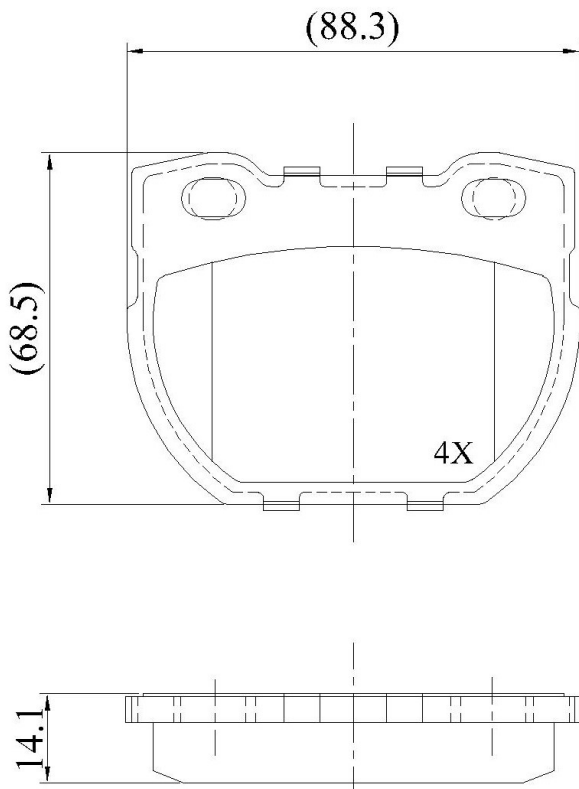
**Make: LANDROVER**

**Model: 110,130/Defender(04/93->)**

**Part Number: ADB01078**

**Vehicle Manufacturing/Engine:**

## ADB01078



### Specifications

<b>Fitting Position</b>	:	Rear
<b>Model Date</b>	:	04/93->
<b>Or. Caliper</b>	:	Lockheed
<b>WVA</b>	:	23471
<b>FMSI</b>	:	
<b>Length</b>	:	88.3
<b>Width</b>	:	68.5
<b>Thickness</b>	:	14.5