

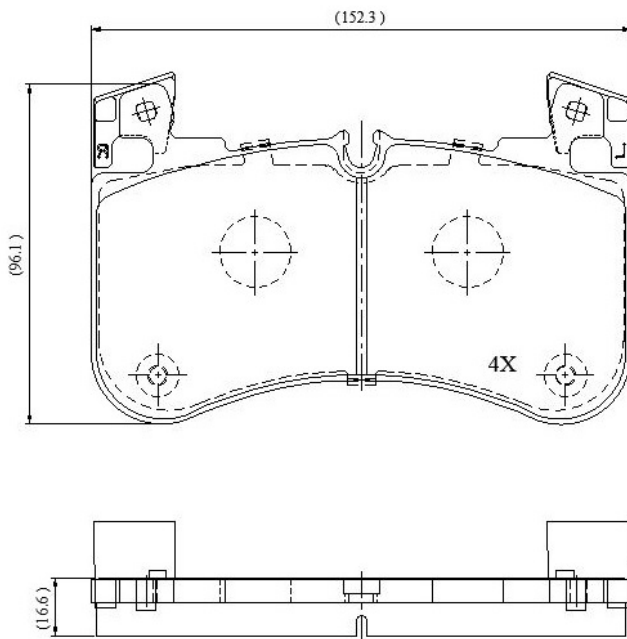
**Make: LANDROVER**

**Model: DEFENDER Station Wagon**

**Part Number: ADB02840**

**Vehicle Manufacturing/Engine:**

**ADB02840**



## Specifications

<b>Fitting Position</b>	:	Front
<b>Model Date</b>	:	2019-
<b>Or. Caliper</b>	:	
<b>WVA</b>	:	20581
<b>FMSI</b>	:	
<b>Length</b>	:	152.6
<b>Width</b>	:	96.6
<b>Thickness</b>	:	17.1