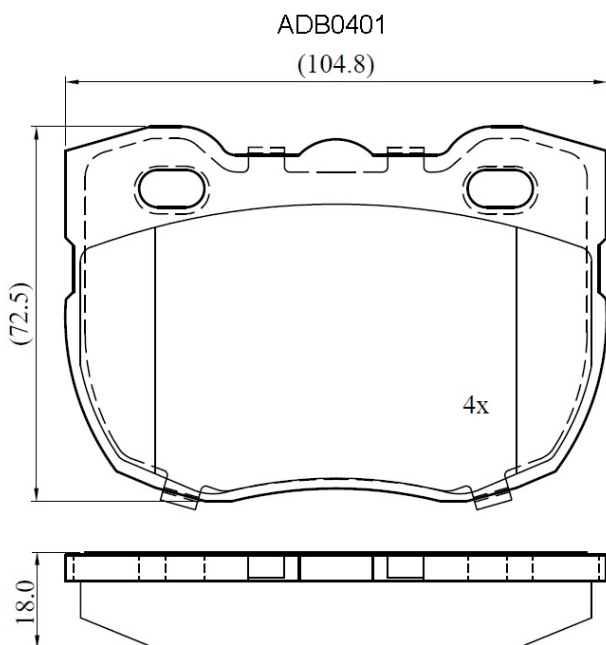


**Make: LANDROVER**

**Model: Discovery (04/93->10/99)**

**Part Number: ADB0401**

**Vehicle Manufacturing/Engine:**



### Specifications

**Fitting Position**

:

Front

<b>Model Date</b>	:	04/93-10/99
<b>Or. Caliper</b>	:	Lockheed
<b>WVA</b>	:	21459
<b>FMSI</b>	:	
<b>Length</b>	:	104.8
<b>Width</b>	:	72.5
<b>Thickness</b>	:	18