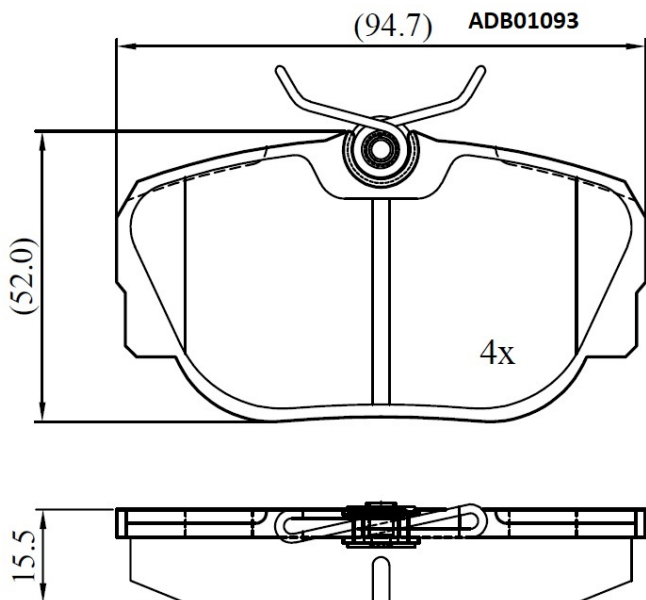


**Make: LANDROVER**

**Model: Discovery II**

**Part Number: ADB01093**

**Vehicle Manufacturing/Engine:**



### Specifications

<b>Fitting Position</b>	:	Rear
<b>Model Date</b>	:	01/99->

<b>Or. Caliper</b>	:	Lucas
<b>WVA</b>	:	23458/23459
<b>FMSI</b>	:	
<b>Length</b>	:	94.7
<b>Width</b>	:	52
<b>Thickness</b>	:	15.5