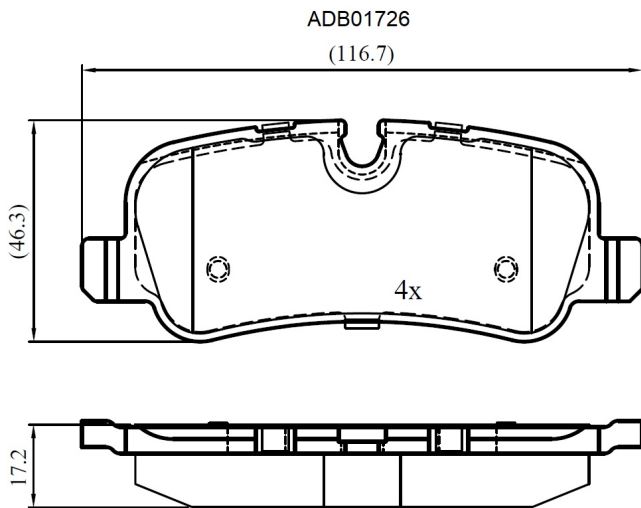


**Make: LANDROVER**

**Model: Discovery III**

**Part Number: ADB01726**

**Vehicle Manufacturing/Engine:**



### Specifications

|                         |   |         |
|-------------------------|---|---------|
| <b>Fitting Position</b> | : | Rear    |
| <b>Model Date</b>       | : | 07/04-> |
| <b>Or. Caliper</b>      | : |         |

|                  |   |       |
|------------------|---|-------|
| <b>WVA</b>       | : | 24192 |
| <b>FMSI</b>      | : |       |
| <b>Length</b>    | : | 116.7 |
| <b>Width</b>     | : | 46.3  |
| <b>Thickness</b> | : | 17.2  |