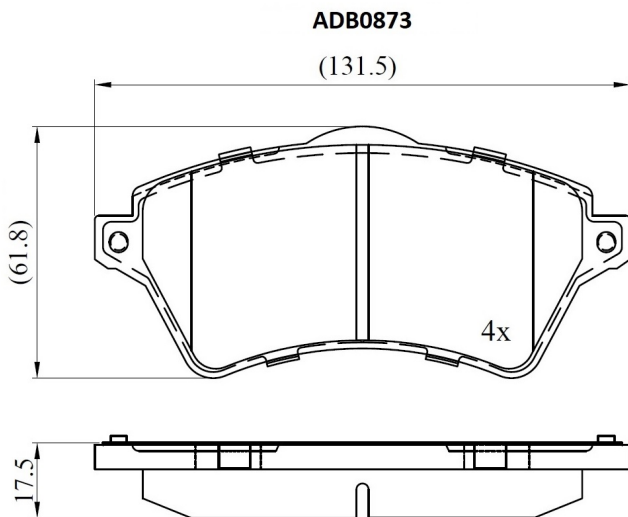


**Make: LANDROVER**

**Model: Freelander (->10/00)**

**Part Number: ADB0873**

**Vehicle Manufacturing/Engine:**



### Specifications

<b>Fitting Position</b>	:	Front
<b>Model Date</b>	:	10/00->

<b>Or. Caliper</b>	:	Lucas
<b>WVA</b>	:	23615
<b>FMSI</b>	:	
<b>Length</b>	:	131.5
<b>Width</b>	:	61.8
<b>Thickness</b>	:	17.5