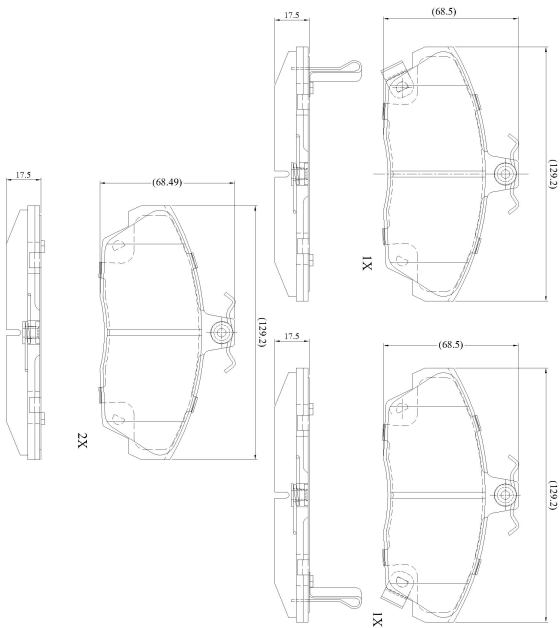


Make: LANDROVER

Model: Freelander (->10/00)

Part Number: ADB3232

Vehicle Manufacturing/Engine:



ADB3232

Specifications

| | | |
|-------------------------|---|-------------|
| Fitting Position | : | Front |
| Model Date | : | 10/97-10/00 |
| Or. Caliper | : | Lucas |
| WVA | : | 21515 |
| FMSI | : | |
| Length | : | 129.2 |
| Width | : | 68.5 |
| Thickness | : | 17.3 |