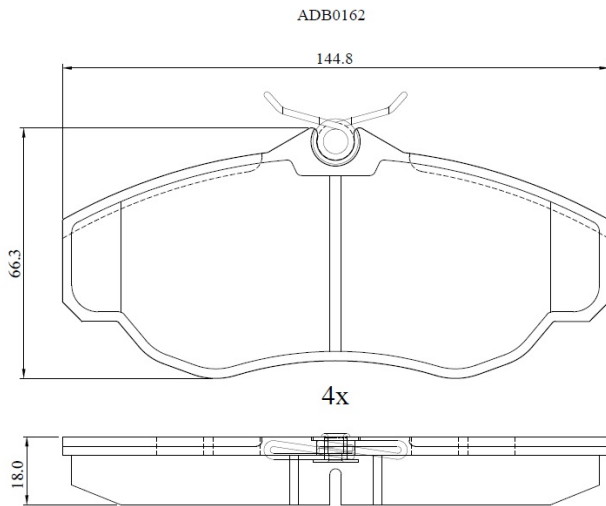


**Make: LANDROVER**

**Model: Range Rover (->03/02)**

**Part Number: ADB0162**

**Vehicle Manufacturing/Engine:**



### Specifications

<b>Fitting Position</b>	:	Front
<b>Model Date</b>	:	01/94-03/02
<b>Or. Caliper</b>	:	Lucas

<b>WVA</b>	:	23452
<b>FMSI</b>	:	
<b>Length</b>	:	144.8
<b>Width</b>	:	66.3
<b>Thickness</b>	:	18