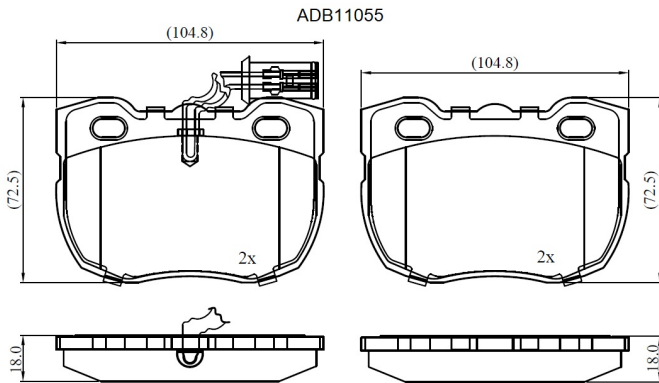


**Make: LANDROVER**

**Model: Range Rover (Classic)**

**Part Number: ADB11055**

**Vehicle Manufacturing/Engine:**



### Specifications

<b>Fitting Position</b>	:	Front
<b>Model Date</b>	:	08/89-01/96
<b>Or. Caliper</b>	:	Lockheed
<b>WVA</b>	:	21459
<b>FMSI</b>	:	

<b>Length</b>	:	104.8
<b>Width</b>	:	72.5
<b>Thickness</b>	:	18