

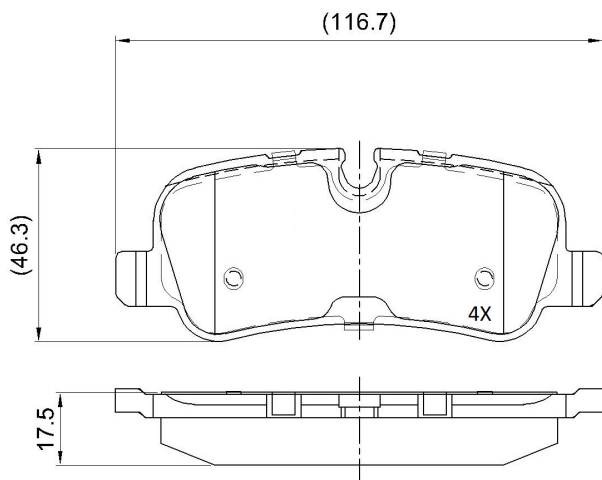
**Make: LANDROVER**

**Model: Range Rover Sport**

**Part Number: ADB02021**

**Vehicle Manufacturing/Engine:**

ADB02021



### Specifications

|                         |   |        |
|-------------------------|---|--------|
| <b>Fitting Position</b> | : | Rear   |
| <b>Model Date</b>       | : | 09/09- |

|                    |   |       |
|--------------------|---|-------|
| <b>Or. Caliper</b> | : | Lucas |
| <b>WVA</b>         | : | 24192 |
| <b>FMSI</b>        | : |       |
| <b>Length</b>      | : | 116.7 |
| <b>Width</b>       | : | 46.3  |
| <b>Thickness</b>   | : | 17.5  |