

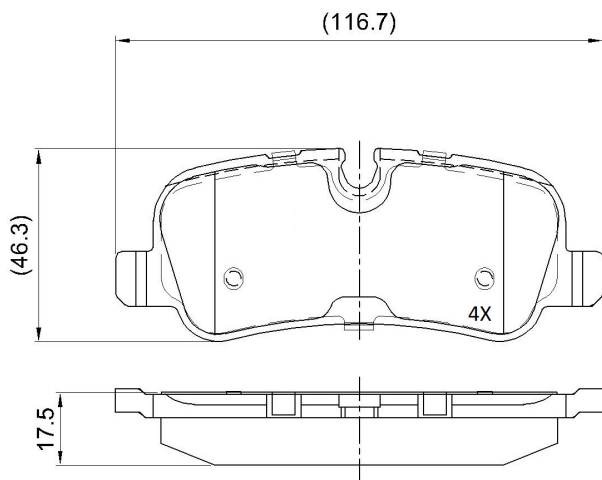
**Make: LANDROVER**

**Model: Range Rover**

**Part Number: ADB02021**

**Vehicle Manufacturing/Engine:**

ADB02021



### Specifications

<b>Fitting Position</b>	:	Rear
<b>Model Date</b>	:	07/10-

<b>Or. Caliper</b>	:	Lucas
<b>WVA</b>	:	24192
<b>FMSI</b>	:	
<b>Length</b>	:	116.7
<b>Width</b>	:	46.3
<b>Thickness</b>	:	17.5