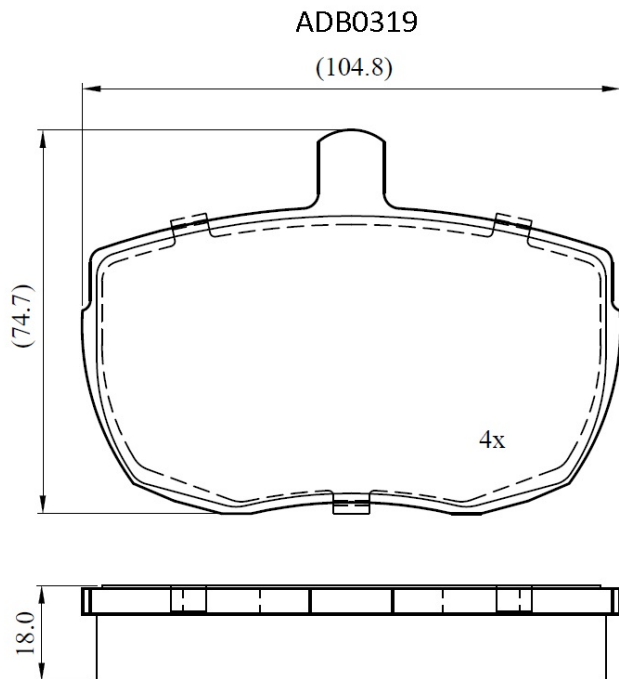


Make: L.D.V

Model: Sherpa (-> 85)

Part Number: ADB0319

Vehicle Manufacturing/Engine:



Specifications

| | | |
|-------------------------|---|-------------|
| Fitting Position | : | Front |
| Model Date | : | 01/80-01/83 |
| Or. Caliper | : | Lockheed |
| WVA | : | 20359 |
| FMSI | : | |
| Length | : | 104.8 |
| Width | : | 74.7 |
| Thickness | : | 18 |