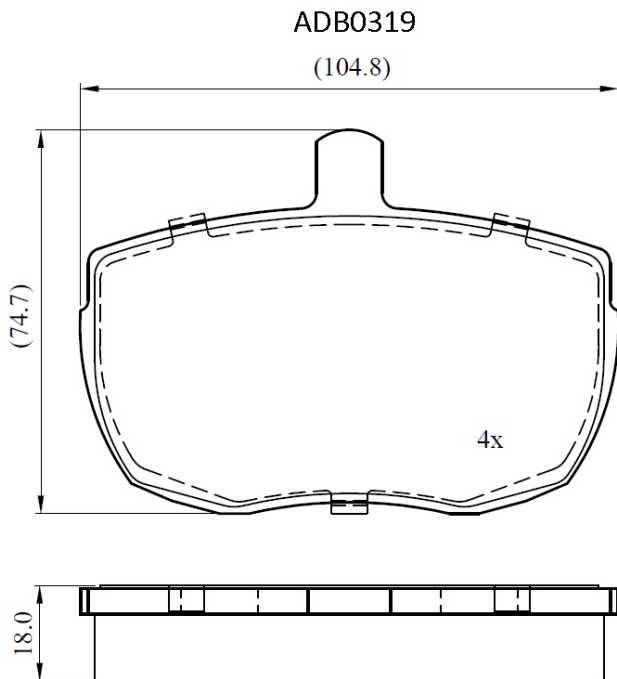


**Make: L.D.V**

**Model: Sherpa (-> 85)**

**Part Number: ADB0319**

**Vehicle Manufacturing/Engine:**



## Specifications

<b>Fitting Position</b>	:	Front
<b>Model Date</b>	:	01/83-01/85
<b>Or. Caliper</b>	:	Lockheed
<b>WVA</b>	:	20359
<b>FMSI</b>	:	
<b>Length</b>	:	104.8
<b>Width</b>	:	74.7
<b>Thickness</b>	:	18