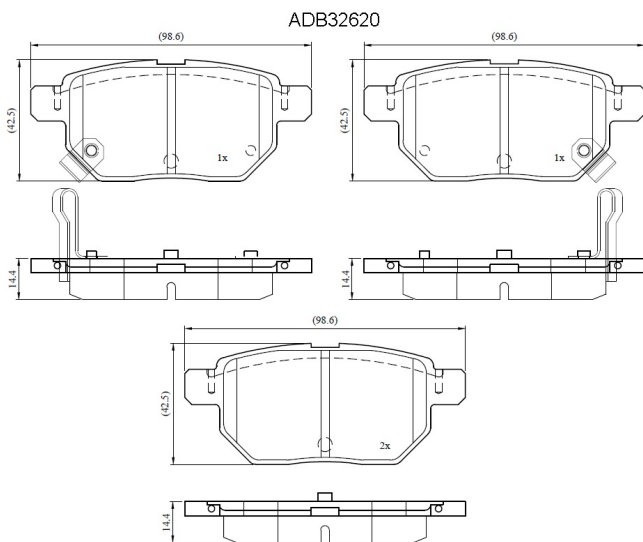


**Make: LEXUS**

**Model: CT200H**

**Part Number: ADB32620**

**Vehicle Manufacturing/Engine:**



### Specifications

<b>Fitting Position</b>	:	Rear
<b>Model Date</b>	:	11-
<b>Or. Caliper</b>	:	

<b>WVA</b>	:	
<b>FMSI</b>	:	D1423
<b>Length</b>	:	98.6
<b>Width</b>	:	42.5
<b>Thickness</b>	:	14.4