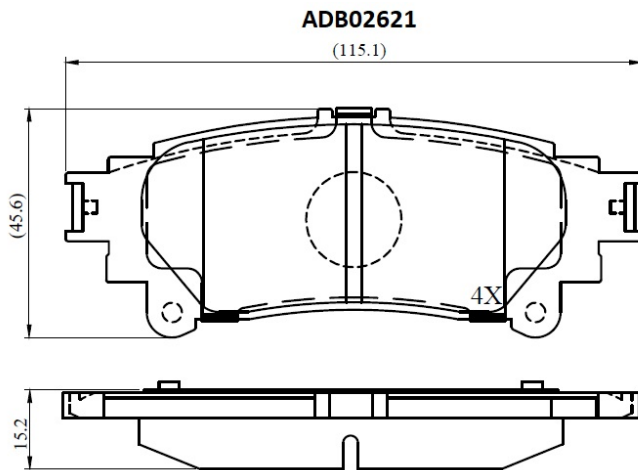


**Make: LEXUS**

**Model: RX450h**

**Part Number: ADB02621**

**Vehicle Manufacturing/Engine:**



### Specifications

<b>Fitting Position</b>	:	Rear
<b>Model Date</b>	:	Oct-13
<b>Or. Caliper</b>	:	
<b>WVA</b>	:	

<b>FMSI</b>	:	D1391
<b>Length</b>	:	115
<b>Width</b>	:	45.6
<b>Thickness</b>	:	15.2