

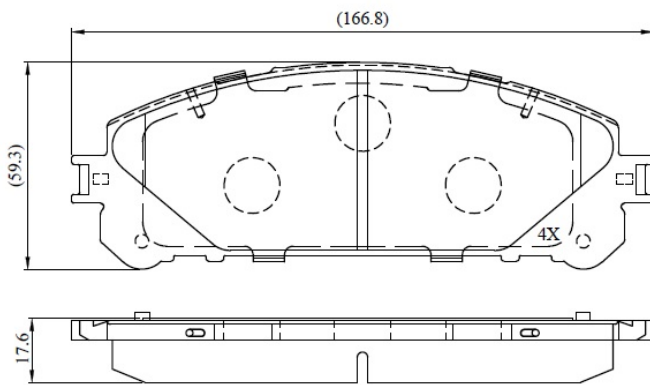
**Make: LEXUS**

**Model: TRUCK**

**Part Number: ADB02595**

**Vehicle Manufacturing/Engine:**

**ADB02595**



### Specifications

<b>Fitting Position</b>	:	Front
<b>Model Date</b>	:	Oct-13
<b>Or. Caliper</b>	:	
<b>WVA</b>	:	

<b>FMSI</b>	:	D1324
<b>Length</b>	:	166.8
<b>Width</b>	:	59.3
<b>Thickness</b>	:	17.6