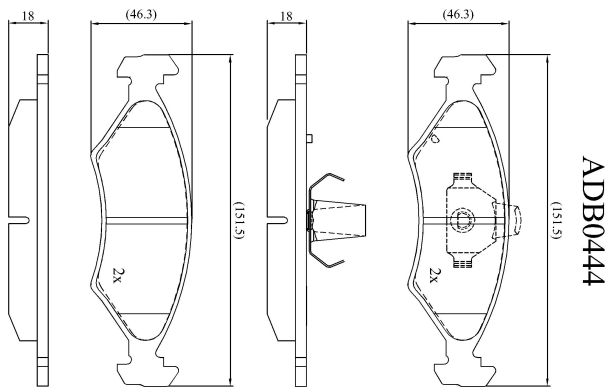


Make: MAZDA

Model: 121

Part Number: ADB0444

Vehicle Manufacturing/Engine:



Specifications

Fitting Position	:	Front
Model Date	:	01/95->
Or. Caliper	:	Ate
WVA	:	2,31,03,23,104
FMSI	:	
Length	:	150.9
Width	:	46.2
Thickness	:	18