

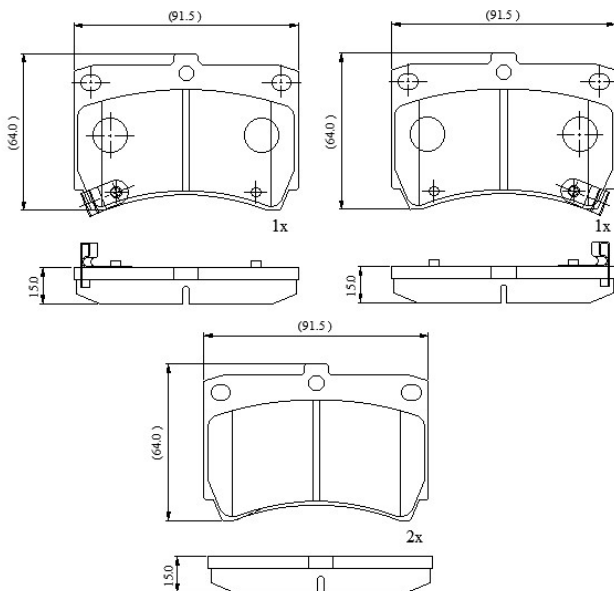
Make: MAZDA

Model: 121

Part Number: ADB3245

Vehicle Manufacturing/Engine:

ADB3245



Specifications

Fitting Position

:

Front

Model Date	:	01/91-01/95
Or. Caliper	:	Sumitomo
WVA	:	21655
FMSI	:	
Length	:	91.5
Width	:	64
Thickness	:	15