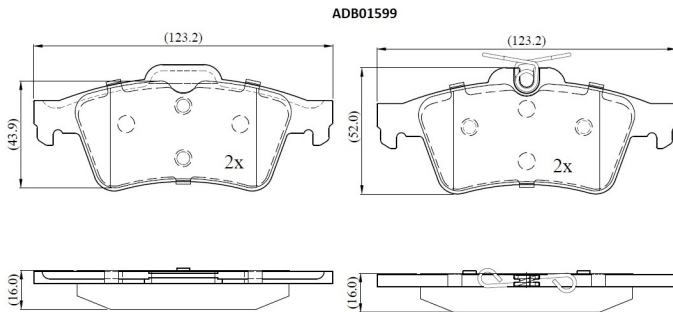


Make: MAZDA

Model: 3 (BK12, BK14)

Part Number: ADB01599

Vehicle Manufacturing/Engine:



Specifications

Fitting Position	:	Rear
Model Date	:	10/03->
Or. Caliper	:	Ate
WVA	:	2,41,36,24,137
FMSI	:	
Length	:	123.2

Width	:	52
Thickness	:	16