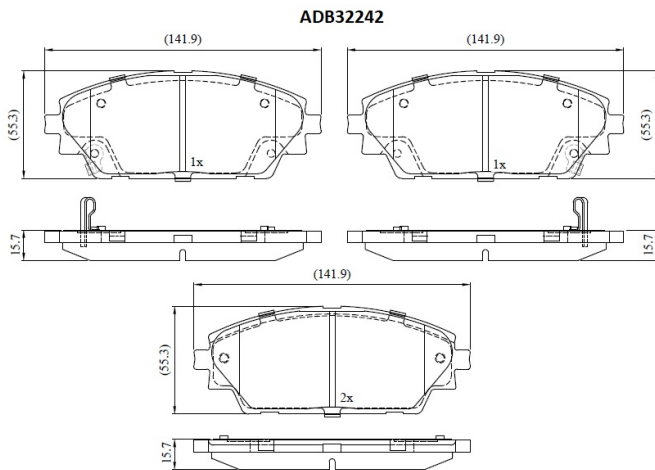


Make: MAZDA

Model: 3 Series

Part Number: ADB32242

Vehicle Manufacturing/Engine:



Specifications

Fitting Position	:	Front
Model Date	:	09/13-
Or. Caliper	:	
WVA	:	25875, 25876, 25877

FMSI	:	
Length	:	141.9
Width	:	55.3
Thickness	:	15.7