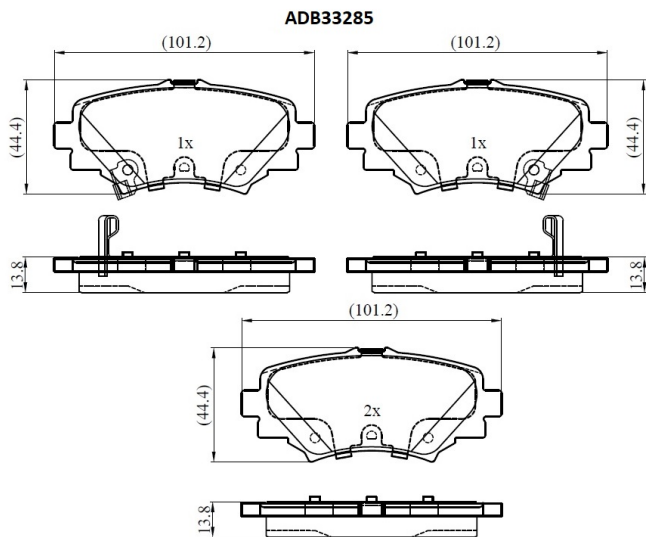


Make: MAZDA

Model: 3

Part Number: ADB33285

Vehicle Manufacturing/Engine:



Specifications

| | | |
|-------------------------|---|-----------|
| Fitting Position | : | Rear |
| Model Date | : | 2013-2019 |

| | | |
|--------------------|---|-------|
| Or. Caliper | : | |
| WVA | : | 25878 |
| FMSI | : | |
| Length | : | 101.2 |
| Width | : | 44.4 |
| Thickness | : | 13.8 |