

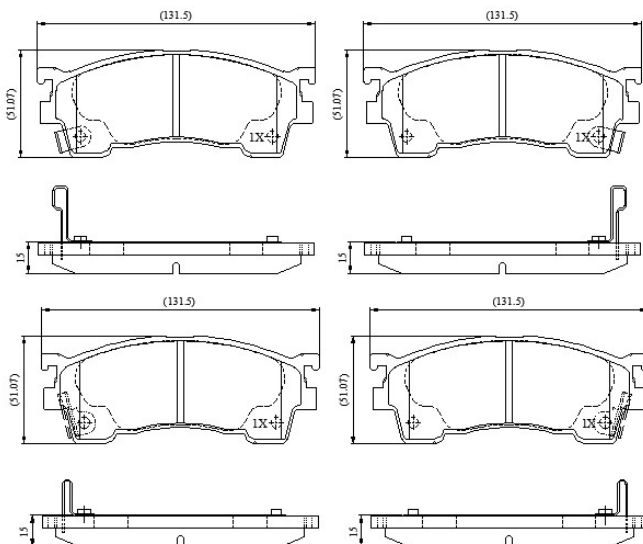
Make: MAZDA

Model: 323 (BJ Series)

Part Number: ADB3510

Vehicle Manufacturing/Engine:

ADB3510



Specifications

Fitting Position	:	Front
Model Date	:	10/98-01/02

Or. Caliper	:	Sumitomo
WVA	:	21755
FMSI	:	
Length	:	131.5
Width	:	51.1
Thickness	:	15