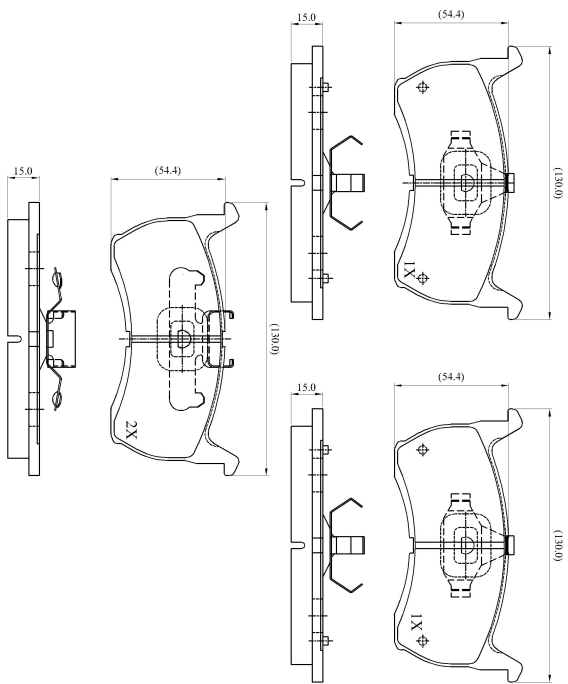


Make: MAZDA

Model: 626 (GC Series)

Part Number: ADB3324

Vehicle Manufacturing/Engine:



ADB3324

Specifications

Fitting Position

:

Front

| | | |
|--------------------|---|-------------|
| Model Date | : | 01/82-09/87 |
| Or. Caliper | : | Akebono |
| WVA | : | 21360 |
| FMSI | : | |
| Length | : | 130 |
| Width | : | 61 |
| Thickness | : | 15 |